

Assembly Instructions: 3171-FM11

IMPORTANT:

- ALL INSTALLATION WORK SHOULD BE DONE BY ACCREDITED PROFESSIONAL.
- SHUT OFF POWER SUPPLY AT FUSE OR CIRCUIT BREAKER!
- USE ONLY THE SPECIFIED BULBS. DO NOT EXCEED THE MAXIMUM WATTAGE!

For Customer Service, please contact the place of purchase.

PREPARING FOR INSTALLATION

Remove all of the contents from the carton. See the important notes above. Shut off the power at the circuit breaker and completely remove the old fixture from the ceiling, including the old mounting strap.

1. From the parts bag remove the mounting strap assembly. Mounting screws (C) should be attached to mounting strap (B). The other end of the mounting strap (B) should have nipple (F), washer (D), and hex nuts (A) attached.
2. Attach mounting strap (B) to the existing junction box using mounting screws (C) and a screwdriver. Tighten securely.
3. Test the canopy against the mounting strap to check the height of the fixture. Nipple (F) should protrude from the hole in the canopy (I). Half of the threads on nipple (F) should be exposed. Thread deco nut (J) onto nipple (F). The canopy should be snug against the mounting strap and junction box. If not, remove the deco nut and canopy and adjust the height of nipple (F). Set the canopy aside for later. Pull house wires through the center of the mounting strap (B).

CONNECTING THE WIRES

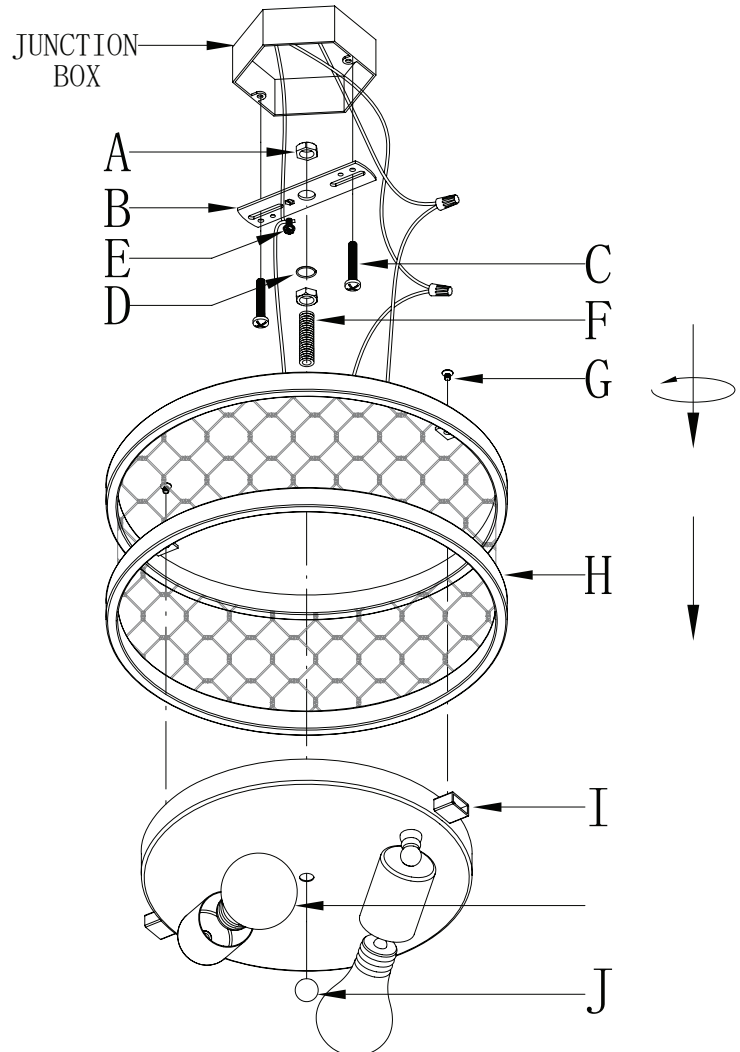
4. Have an assistant support the weight of the fixture while completing the wiring. Cut away excess wire. Attach the fixture's wires to the house wires which were pulled earlier from the junction box through the mounting strap (B). Connect black to black (transparent wire with black inner thread or smooth); white to white (transparent wire with white inner thread or ribbed); ground to ground (transparent wire with green inner thread, green, or copper). Twist the ends of the wire pairs together, and then twist on a wire connector. Make sure all twists are in the same direction. If there is no ground wire (green or copper) coming from the junction box, locate ground screw (E) on the mounting strap and wrap the fixture's ground wire around the green ground screw (E). Use a screwdriver to secure ground screw (E) onto the mounting bracket. Tuck all wires neatly into the junction box.

FINISHING THE INSTALLATION

5. Hold shade (H) up against the mounting strap (B).
6. Attach the canopy (I) by pushing the canopy up to the ceiling over mounting strap (B) and against shade (H) so that nipple (F) protrudes through the hole in the canopy (I). Tightly thread decorative nuts (J) onto the exposed threads of nipple (F) to secure canopy (I) to the ceiling.
7. Use screws (G) to secure shade (H) to the canopy (I) through the holes in the tabs at the top of the shade and canopy.

Install light bulbs (not provided) in accordance with the fixture's specifications. Do not exceed the maximum recommended wattage.

Your installation is now complete. Turn on the power and test the fixture.



How to Identify the Fixture's Wires		
Hot	Neutral	Ground
Smooth	Ribbed	Bare Metal, Green, or Green Inner Thread
Black	White	
Black Inner Thread	White Inner Thread	

House Wires: Hot, Neutral, Ground

Fixture Wires: Hot, Neutral, Ground

CLEANING TIPS

Treat the fixture gently! Regular cleaning will reduce the need for deep cleaning. For regular cleaning, turn off the light and wipe down the fixture with a clean lint-free cotton or microfiber cloth. Never spray cleaner directly onto the fixture.